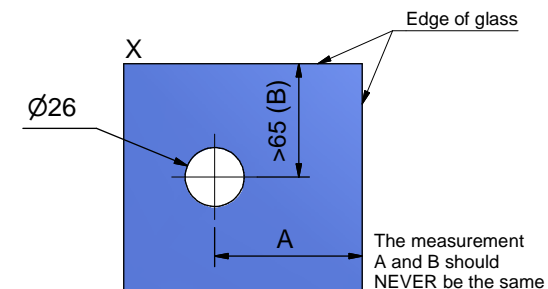
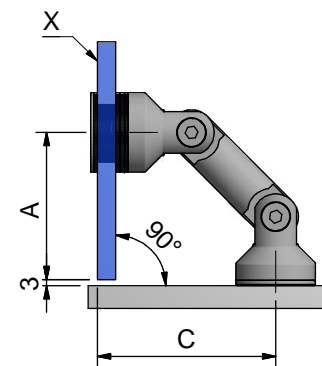
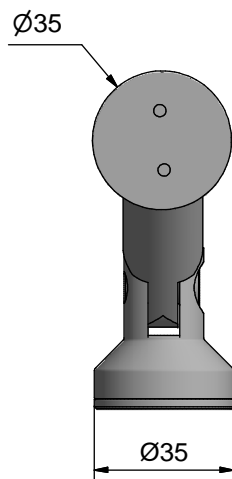
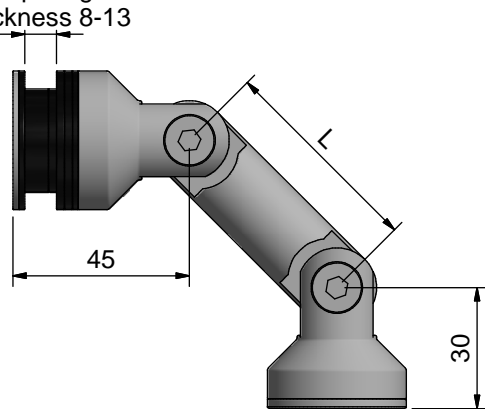
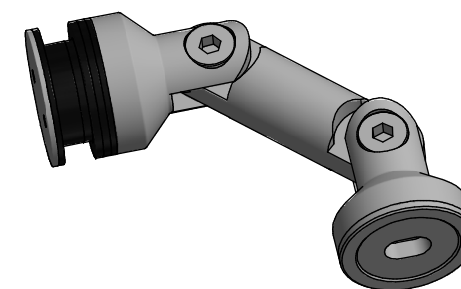
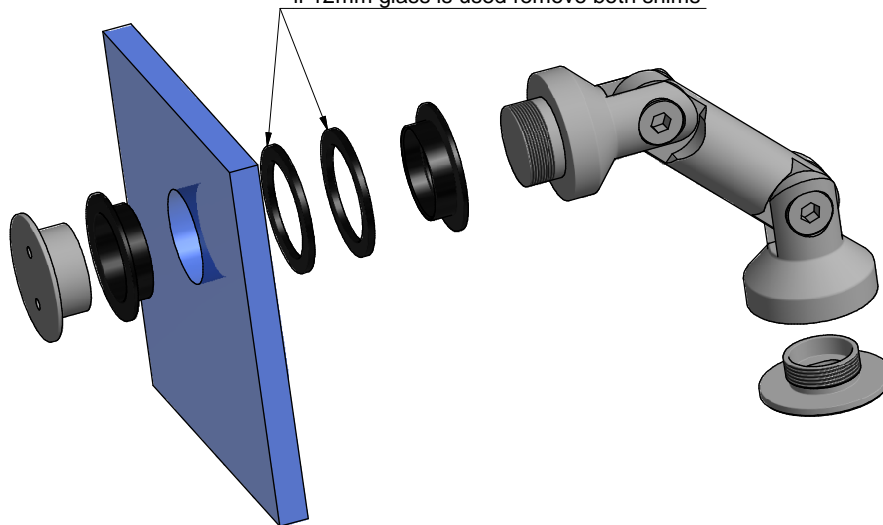


Accepted glass thickness 8-13



if 8mm glass is used, use both shims
 if 10mm glass is used, use one shim
 if 12mm glass is used remove both shims



90° Mounting			
Item No.	Rod length L	Dim A	Dim C
860175	52,5	65	78
860176	60	70	83
860177	82	85	98
860178	103	100	113

Point fixing glass-wall

V1 120831/EM

RG-126

The distance between sets of Point fixings should Not exceed 800mm

RG-126 is a flexible point fixing that can be mounted in many ways. Roca recommends the way that is displayed on the drawing