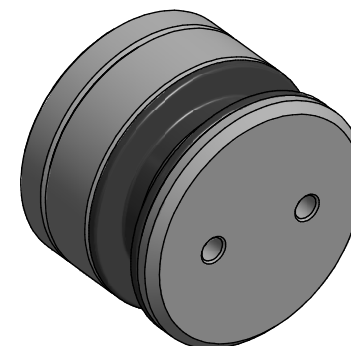
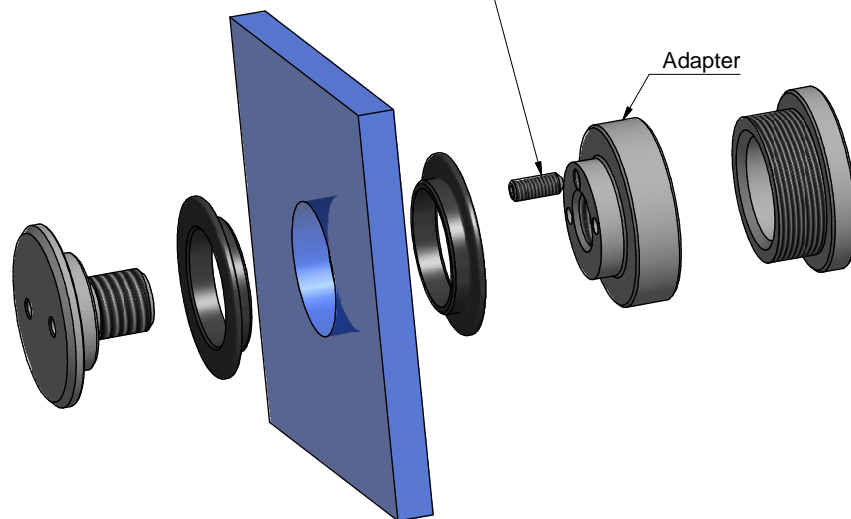


After the adapter has been adjusted, tighten the set screw to fixate the length of the point fixing



The distance between the point fixings should Not exceed 800mm

Item No.	L
861501	15-20
861502	30-35

Point fixing	V1 120904/EM
	RG-170